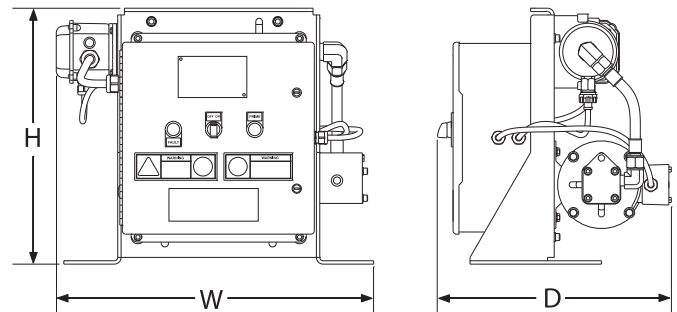
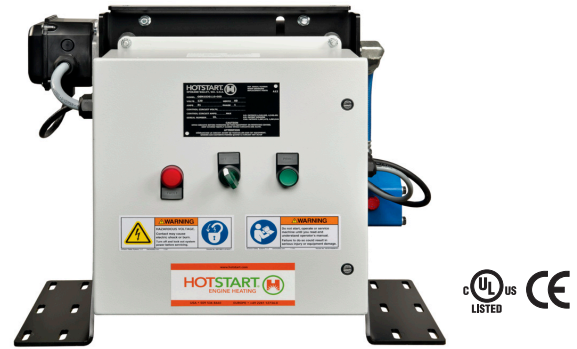


OSM HOTflow™ Heating System

The HOTSTART OSM circulates and heats oil. The system can heat lube oil for engines with oil capacities ranging in size from 15-120 gal (57-454L). The OSM includes a heating chamber, oil pump and all required controls. The OSM provides uniform heating to the oil throughout the engine oil sump and external piping, enhancing engine availability and decreasing wear and tear from cold startups.



APPLICATION

The OSM was developed to pre-heat diesel and gas engines for stationary land power, marine, large mining and construction equipment.

SPECIFICATIONS

- Primary Heating Fluid: Engine Oil
- Heat Power: 1, 2, 3 kW
- Voltage Range: 1 or 3 Phase 120-690V (50 or 60Hz)
- Temperature Controller: Fixed 80°-100°F (27°-38°C)
- High-Limit Temp. Control: Fixed 165°-205°F (74°-96°C)
- Fluid Capacity: Coolant - 0.6 gal (2.2L)
- Pump Power: 0.33 Hp (.25 kW)
- Maximum Pressure: 125 psi (860 kPa)
- Flow: 4 GPM (0.9 m³/hr) @ 1750 RPM
- Inlet Plumbing: 0.5" NPT
- Outlet Plumbing: 1.0" NPT
- Main Control Box Ingress Protection: NEMA Type 4 (IP66)
- Motor Ingress Protection: IP44 (50Hz), NEMA Type 2 (60Hz)

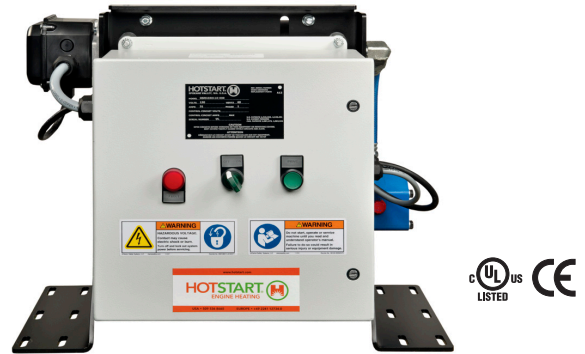
FEATURES

- UL-C/US listed - E250789
- CE compliant to LVD 2006/95/EC, EMC 2004/108/EC and PED 97/23/EC
- Controls for automatic operation
- Compact design
- Easy to install

DIMENSIONS & WEIGHT

Height (H)	Width (W)	Depth (D)	Weight
19.0"	23.0"	17.3"	100 lbs.
483mm	584mm	440mm	45 kg

OSM HOTflow™ Heating System



PART NUMBERS

Oil Capacity		Power Supply			Heating System		
Gallons	Liter	Volts	Phase	Hz	Part Number	kW	Amps
15 - 60	57 - 227	120	1	60	OSM1010108-000	1	14.3
		208	1	60	OSM1010808-000	1	8.4
		230	1	50	OSM1010C08-000	1	7.5
		240	1	60	OSM1010208-000	1	7.2
		208	3	60	OSM3010810-000	1	4.6
		230	3	50	OSM3010C10-000	1	4.2
		240	3	60	OSM3010210-000	1	4.0
		480	3	60	OSM3010410-000	1	2.0
		60 - 90	227 - 341	120	1	60	OSM1020108-000
208	1			60	OSM1020808-000	2	13.2
230	1			50	OSM1020C08-000	2	11.9
240	1			60	OSM1020208-000	2	11.3
208	3			60	OSM3020810-000	2	7.4
230	3			50	OSM3020C10-000	2	6.7
240	3			60	OSM3020210-000	2	6.4
480	3			60	OSM3020410-000	2	3.2
90 - 120	227 - 455			120	1	60	OSM1030108-000
		208	1	60	OSM1030808-000	3	18.0
		230	1	50	OSM1030C08-000	3	16.2
		240	1	60	OSM1030208-000	3	15.5
		208	3	60	OSM3030810-000	3	10.1
		230	3	50	OSM3030C10-000	3	9.2
		240	3	60	OSM3030210-000	3	8.8
		480	3	60	OSM3030410-000	3	4.4