

EVRHEAT Series 20  
**EVRHEAT**™



Hotstart's EVRHEAT Series 20 heating system is a forced circulation coolant preheater, developed to maintain optimal temperatures for diesel and gas engines in stationary land power applications.



### ENGINE READINESS AT A GLANCE

Indicator lights display current heater operation and temperature status, so you can be sure your engine is always ready to start.



### EASY TROUBLESHOOTING

If a fault condition arises, the heating system detects the problem and deactivates before any damage occurs – minimizing heater downtime, repair costs, and warranty expenditures.



### VARIABLE POWER OUTPUT

The EVRHEAT Series 20 adjusts output wattage in response to fluid temperature changes as little as 1 °F, resulting in increased temperature uniformity and eliminating nuisance low temperature alarms.

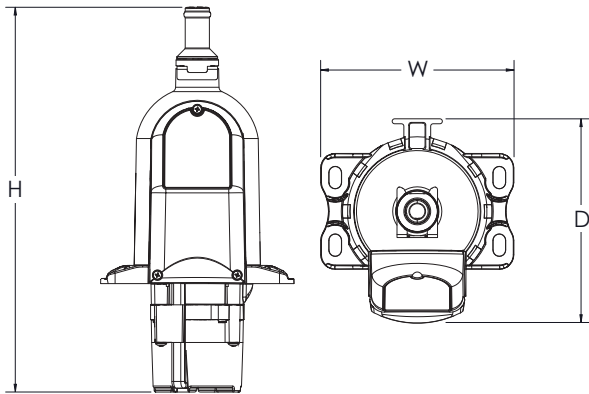


### LOWER TOTAL COST OF OWNERSHIP

The combination of the solid state temperature controls with its debris-resistant forced circulation pump makes for an exceptionally robust engine heating solution that is up to 45% more efficient than standard thermosiphon heaters<sup>1</sup>.

<sup>1</sup>Savings are dependent on local utility rates and installation variables.

## Interface Diagram



Height (H)	Width (W)	Depth (D)	Weight
9.73"	5.0"	5.27"	3.25 lbs
247 mm	127 mm	134 mm	1474 g

System	
Phase	single-phase (1 Ø)
Voltage	120V   208V   240V
Ingress	IP42
Min./Max. Ambient Temp.	-31–122°F (-35–50°C)
Certification	FCC/Industry Canada Compliant <sup>2</sup>

Coolant	
Fluid Type	Water   Coolant mix (50% water/50% glycol)
Heat Power	0–1.65 kW (120V) 0–2.5 kW (208–240V)
Set Temp	110°F (43°C)
Control Bord High-limit Temp	195°F (90°C)
Flow	3 gpm @ 10 ft H <sub>2</sub> O (11.4 L/min @ 3 m H <sub>2</sub> O)
Inlet/Outlet	0.625" (16mm) hose barb   0.625" (16mm) hose barb

\* Additional inlet/outlet hose barb sizes are available.

Part Number	Volts	Plug Type	Engine Displacement	Cord Length
EVR20F-11411-N00	120	NEMA (US)	up to 15 L (915 CID)	8' (2.4 m)
EVR20F-21011-N00	240	NEMA (US)	up to 20 L (1200 CID)	8' (2.4 m)
EVR20F-81211-A00	208	Unterminated	up to 20L (1200 CID)	8' (2.4 m)

<sup>2</sup>This device complies with part 15 of the FCC Rules. Operation is subject to the following two conditions: (1) This device may not cause harmful interference, and (2) this device must accept any interference received, including interference that may cause undesired operation.

CAN ICES-3 (B)/NMB-3(B)

